

TWO-DRAWER LETTER SIZE

# FireKing25<sup>®</sup> Files

**Space-efficient, cost-efficient size; full scale protection.**

**F**ireKing25 files provide your important records with the protection they need without overhauling your filing system – or your budget. They give you all the benefits of our larger-sized files, in a competitively priced, standard 25-inch size. And, like all our files, they carry the Underwriters' Laboratories Class 350 one-hour "Record Protection Equipment Classified as Fire and Impact Resistance" label.

Use your FireKing25 to organize and protect: Tax records • Legal documents • Deeds, contracts, and financial instruments • Accounts Payable and Receivable • OSHA records

FireKing25 files are equipped with UL-listed high-security keylocks, certified to resist picking and drilling. They're available in 2- or 4-drawer heights and letter or legal sizes –

with a small, 25"-deep "footprint" that makes them the perfect answer for places where space is at a premium.

**UL-rated to protect your vital documents.**

FireKing25 Files are Underwriters' Laboratories-listed to protect paper records through the following tests:

- A one-hour fire test in external temperatures of over 1700° F
- A 1550°F-fire-plus-30-foot impact test
- A 2000°F explosion hazard test

Because of its unique steel lattice reinforcement, insulation between drawers, and extra-thick steel panels, the FireKing25 is UL-rated to survive

a fall of 30 feet – and still keep its contents safe in a fire. Combined with the fire and explosion-hazard UL ratings, this test proves that FireKing25 files are built to survive under the worst conditions. What's more, their oven-dried, asbestos-free insulation maintains this protection for a lifetime.

**We guarantee it.**

Like all FireKing files, the FireKing25 carries FireKing's exclusive Lifetime Warranty on all parts. And our Free Replacement Guarantee: if your FireKing25 ever has to protect your records in a fire and any damage occurs to its fire-protection abilities, we'll give you a new one free of charge.



## **2-1825-C: Two-Drawer Letter FireKing25**

Outside Dimensions:

27 7/8" H x 17 11/16" W x 25" D

Internal Drawer Dimensions:

10 3/8" H x 12 3/16" W x 19 3/4" D

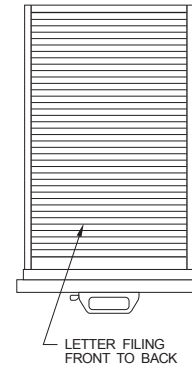
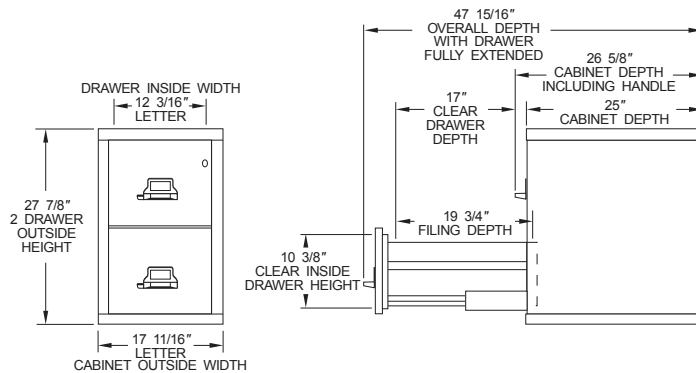
Approx. Shipping Weight: 287 lbs.

Fire King International  
101 Security Parkway  
New Albany, Indiana USA 47150

812-948-8400 / 800-457-2424  
812-948-0437 / 800-227-7513 FAX

**FireKing<sup>®</sup>** 

# FireKing25 File Specifications



FIREKING 25 LETTER FILING ARRANGEMENTS

## Fire and Impact Rating

The FireKing25's Underwriters' Laboratories "Record Protection Equipment" classification includes a one-hour fire test of 1700°F, a 2000°F explosion hazard test, and a 30-foot impact test.

## Insulation

The FireKing25's casting is of specially formulated, asbestos-free gypsum-based insulation, oven-dried to reduce free moisture to less than 1/2%. Insulation is reinforced with 1" x 2" 14-gauge galvanized welded-steel wire; and insulation between all drawers makes each drawer a separate insulated container.

## Field-Replaceable Steel Panel

All exterior FireKing25 steel panels are replaceable in the field in the event of minor damage.

## Finish

An environmentally friendly, electrostatically applied powder coating gives the FireKing25 a scratch-, scuff-, and stain-resistant finish. Plus, a five-stage prefinishing treatment provides unmatched adhesion and rust resistance.

## Drawer Suspensions

Cradle suspensions are securely mounted with screws to metal posts in the FireKing25's file body. (All drawer suspensions are guaranteed for life.)

## Drawer Bodies

Each FireKing25 drawer body is built with high sides for use with hanging folders – no additional frames are required.

## Drawer Heads

Drawer heads are formed of welded steel, and filled with our specially formulated gypsum-based insulation. Each drawer head is designed for a tight interlock with the cabinet frame – making all drawers extra-resistant to heat transfer.

## High-Security Keylock

The FireKing25's Medeco™ drawer keylocks are UL-rated to resist picking and drilling. Because keys cannot be duplicated – except through FireKing – access is limited to authorized keyholders only.

## Drawer Bypass

Works for all FireKing25 file drawers. In its "up" position, the drawer catch allows a drawer to stay unlocked while other drawers remain locked.

## Drawer Pulls

Made of bright chrome-plated zinc, each FireKing25 drawer pull contains an integral index-card holder.

## Colors

FireKing25 files are available in nine standard colors.

## Lifetime Warranty

All FireKing25 files carry a lifetime warranty on all parts, including insulation and drawer suspensions.

## Free Replacement Guarantee

If your FireKing25 is ever required to protect your documents in a fire, and any of its fire-protective properties are damaged, FireKing will replace it free.

## Fire King International

101 Security Parkway  
New Albany, Indiana USA 47150

812-948-8400 / 800-457-2424  
812-948-0437 / 800-227-7513 FAX

